

---

# CENTRAL STANDARDIZATION COMMITTEE

---

SPECIFICATION  
FOR  
GENERAL REQUIREMENTS FOR BRUSHWARE

Approved by the  
CENTRAL STANDARDIZATION COMMITTEE

October 1970

---

Published by the  
SOUTH AFRICAN BUREAU OF STANDARDS

NOTICE

This specification has been approved by the Department of Trade and Industry.

Except for purposes of tender or contract no person may claim or create the impression that commodities comply with this specification.

Obtainable from the

SA BUREAU OF STANDARDS  
Private Bag X191  
Pretoria  
Republic of South Africa  
0001

Telegrams: Comparator, Pretoria  
Telex : 321308SA  
Fax : (012) 3441568

COPYRIGHT RESERVED

SPECIFICATION

for

GENERAL REQUIREMENTS FOR BRUSHWARE

SECTION 0. APPLICABLE STANDARDS

0.1 The latest issue of the following standard forms part of this specification:  
SABS 77 Wooden handles for brooms, hayforks, and rakes

SECTION 1. SCOPE

1.1 This specification covers requirements common to various types of brushware.

NOTE: Additional requirements for specific types of brushware are given in the relevant individual specifications.

SECTION 2. DEFINITIONS

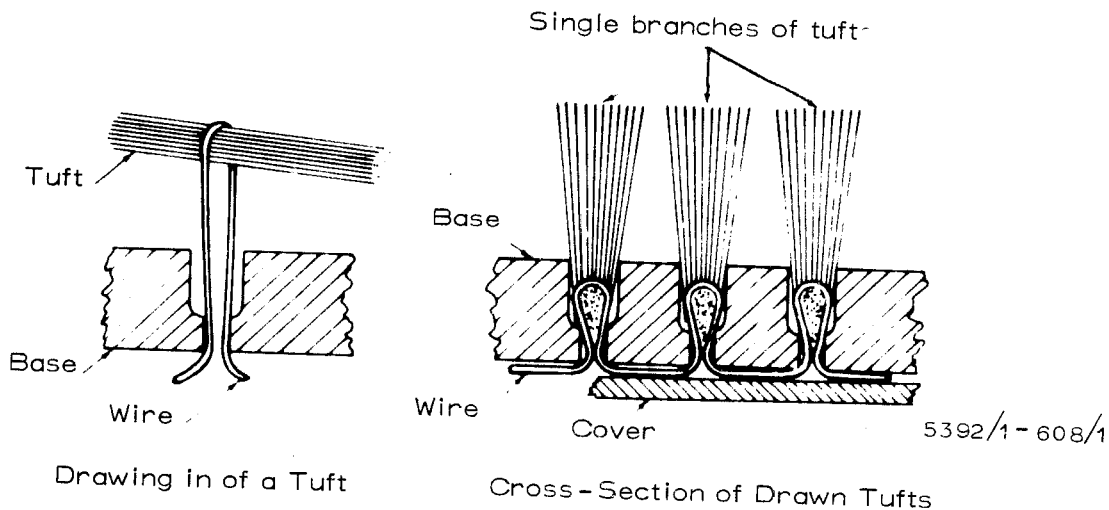
2.1 For the purposes of this specification the following definitions shall apply:

Acceptable. Acceptable to the purchaser.

Bass. The fibre obtained from the petiole of the palms Attalia (or Attalea) funifera, Dyctiosperma fibrosum, Leopoldina piassava, Raphia vinifera, Raphia gaertneri, Raphia ruffia, Sabal palmetto, Sagrus ruffia, and Vonitra spp.

Coco. The fibre obtained from the husk surrounding the nut of the coconut palm, Cocos nucifera.

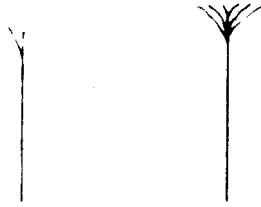
Drawn (Wire-drawn). Descriptive of tufts that are secured in position by means of a wire which loops in and out of the tuft holes and around the tufts.



CKS 250-1970

2

Flag. The split end of a hair, filament, or fibre.



Examples of Flagged Ends

Hardwood. The timber of broadleaved trees belonging to the botanical group Angiospermae (porous woods), e.g. Acacia, Eucalyptus, Quercus, Populus.

NOTE: The term 'hardwood' does not refer to the hardness or to the softness of the wood.

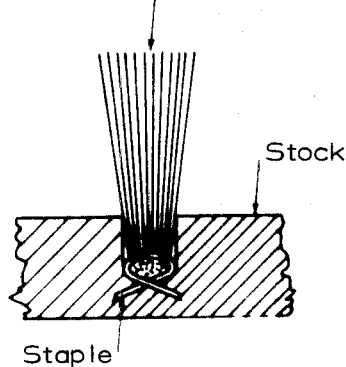
Kitool. The fibre obtained from the petiole and from the older sheath bases of the palm Caryota urens.

Mexican fibre. The fibre obtained from the plant Agave lechuguilla.

Palmyra. The fibre (and stalks) obtained from the petiole of the palm Borassus flabellifera.

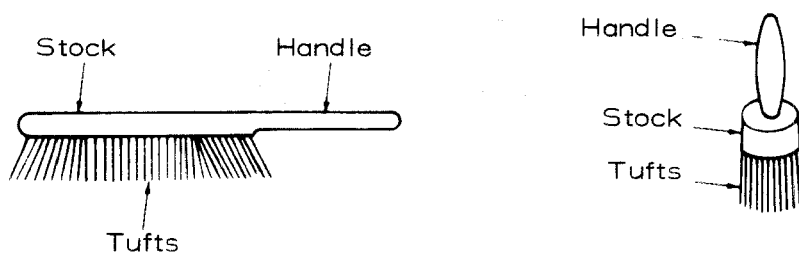
Stapled. Descriptive of tufts that are secured into the stock by means of staples in the tuft holes.

Single branch of tuft



Cross-Section of a Stapled Tuft

Stock. In the case of a brush or a broom with stapled tufts, the part to which the tufts are secured; in the case of a brush or a broom with drawn tufts, the part to which the tufts are secured (i.e. the base) plus the cover.



Examples of Stocks

### SECTION 3. REQUIREMENTS

**3.1 GENERAL.** The brushes and brooms shall be made in accordance with sound manufacturing practice and all their components shall be free from imperfections and defects which affect the appearance or which might impair the serviceability. When tender samples have been approved by the purchaser, deliveries shall not differ from the relevant tender sample in respect of characteristics and properties that are not specified.

#### **3.2 MATERIALS**

**3.2.1 Tufts.** The tufts shall consist of

- a) in the case of hair: hair from the animal (and, when relevant, from that part of the animal) specified. The hair shall be reasonably free from curliness, waviness and twist and shall be so set as to be permanently dressed;
- b) in the case of fibre: the specified fibre (as defined in 2.1); and
- c) in the case of filament: the filament as specified by its generic name.

**NOTE:** In the cases of (a) and (b) and where a geographical name is also given, the hair or fibre shall be a product of the prescribed region.

**3.2.2 Wood.** The moisture content of the wood, determined in accordance with 6.1, shall not exceed 15 per cent, and the density shall conform to the value specified in the relevant individual specification.

Where hardwood is not specified, the use of other suitable wood shall be acceptable and, if a botanical name is given, the wood shall be from a tree that conforms to the botanical definition of that name.

#### **3.3 CONSTRUCTION**

**3.3.1 Tufts.** Except when otherwise specified in the relevant individual specification, the following shall apply:

a) Stapled tufts and drawn tufts. Each tuft shall be formed from a bundle in which the hairs, fibres, or filaments are essentially parallel to each other and shall be stapled or drawn (as relevant) and folded at the staple or wire into two branches of equal length. The hairs, or fibres, or filaments in a brush or a broom shall be of uniform length, and the tufts shall be uniform in size, virtually free from loose and damaged hairs, fibres, or filaments (as relevant) and shall be firmly secured in the tuft holes.

b) The anchorage of any one tuft and the total mass of all the tufts, determined in accordance with 6.3 and 6.4 respectively, shall not be less than the minima laid down in the relevant individual specification.